



PERMA/lok 5 Material Handling Valve

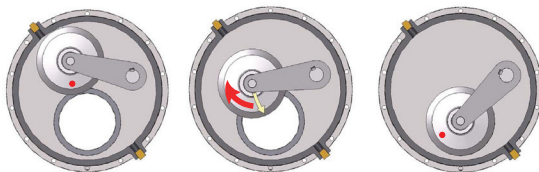
Positive shut-off in the most extreme applications

Clyde Bergemann Delta Ducon (CBDD) PERMA/lok 5 can be used on any application requiring positive shut-off and can be applied to both vacuum and pressure conveying systems.

The PERMA/lok 5 can be utilized as an airlock valve ("lock hopper"), diverter valve, or a shut-off valve in lieu of a more traditional butterfly, knife gate or ball valve. The valve is designed to handle the most abrasive materials such as: fly ash, bed ash, sand, limestone, aggregate, cement, coal, coke, clay, stone, furnace/ kiln dust, metals, and more.

⚙️ Your Advantage

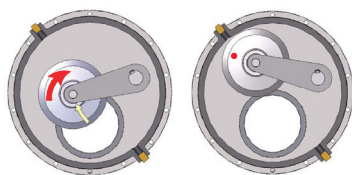
- Simple proven design
- Full bore unobstructed material flow through the valve
- Cylinder shaft is sealed while rotating instead of sealed while traveling through the valve body
- Forms pressure tight seal when closed
- Continuous self lapping action through disc rotation upon each actuation
- Operating temperature to 550° F
- Operating pressure to 100 PSIG
- Cuts through moving or static material columns
- Low maintenance requirements



Position 1
Open

Position 2
Closing

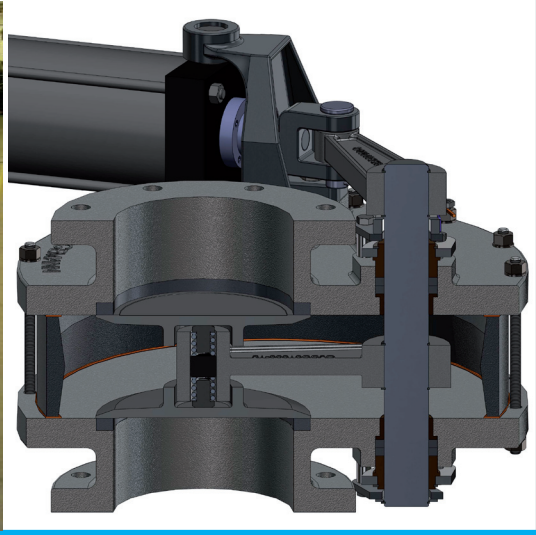
Position 3
Closed



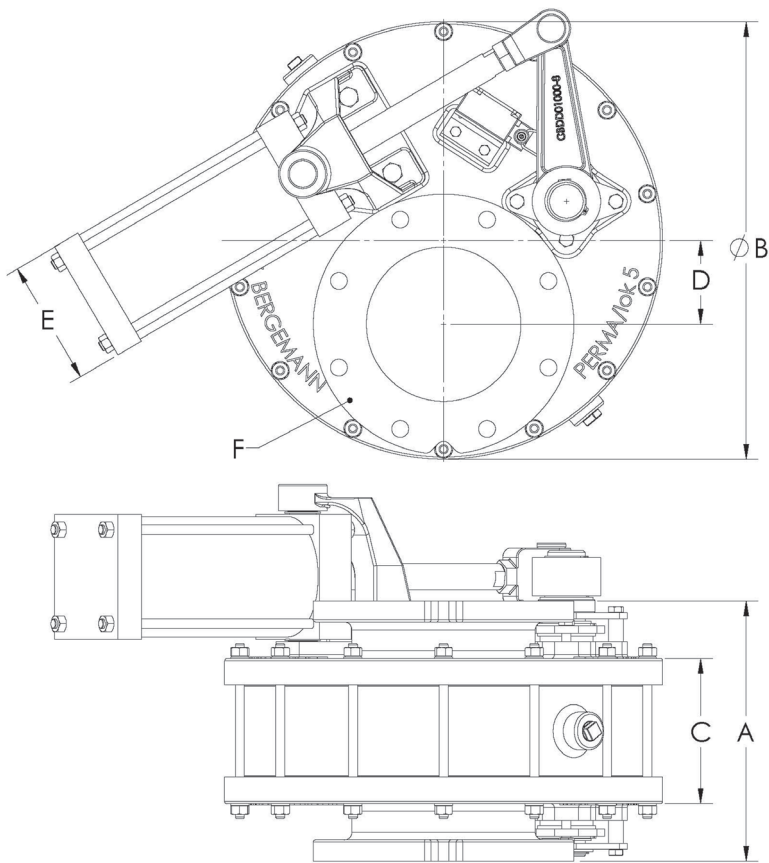
Position 4
Opening

Position 5
Open





Positive shut-off in the most extreme applications



Materials

- Heavy duty cast steel housing
- Dual 440C S.S. abrasion resistant seal discs
- 440C S.S. abrasion resistant seat
- Heavy duty spring tensioner
- Air cylinder actuated
- Limit switches and solenoid valve

Valve Size	A	B	C	D	E Cylinder	F
6"	10.5"	18"	6.38"	3.25"	5"	6"
8"	13.5"	23"	7.53"	4.38"	6"	8"
10"	15"	26"	7.88"	5.5"	8"	10"
12"	15"	31"	7.75"	6.5"	10"	12"



Clyde Bergemann Delta Ducon

33 Sproul Road
Malvern, Pennsylvania, 19355
USA

Toll Free Tel: 800-238-2974
T: 610-695-9700
F: 610-695-9724

Website: www.deltaducon.com
eMail: sales@deltaducon.com